

Project: _____ Date: _____
 Type: _____ Voltage: _____
 Comments: _____

EBOKA-1W3-MR16

EBOKA-1W3-GU10

EBOKA-1W3-E26

DESIGN

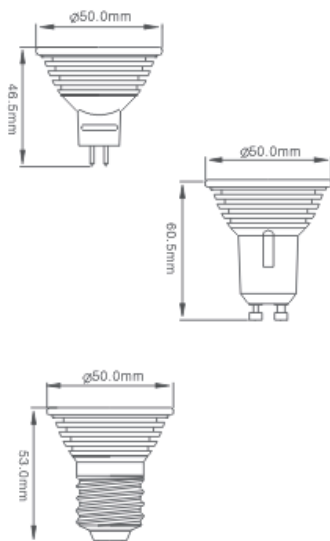


>MR16 and GU10 LED light bulbs have a wonderful white color which will enhance anything you might be highlighting. It could be a retail space or in your home; in either case, you get extremely long life and may not have to change bulbs for years. 30,000 hour energy efficient LED lamp. Perfect for highlighting art in homes, stores and offices, landscaping, and spotlighting.

Mr16 and GU10 LED light bulbs will continue to be an advanced technology offering well into the future.

Lamp Type	EBOKA-1W3-MR16	EBOKA-1W3-GU10	EBOKA-1W3-E26
Input Voltage	AC 85~265V	AC 85~265V	AC 85~265V
LED Type	1W*3	1W*3	1W*3
Luminous Flux	150±10%lm (3000K)	150±10%lm (3000K)	150±10%lm (3000K)
Intensity (1Meter)	1400 Lux(300)	1400 Lux(300)	1400 Lux(300)
LED Color	CW, WW	CW, WW	CW, WW
Beam Angle	15°/30°/60°	15°/30°/60°	15°/30°/60°
Body Materials	AL-6063	AL-6063	AL-6063
Life Time	30,000 Hr	30,000 Hr	30,000 Hr
Work Temperature	-20~50°C	-20~50°C	-20~50°C
Efficiency	85%	65%	65%
Consumption Power	4W±10%	4W±10%	4W±10%
Over-voltage Protection	<120%	<120%	<120%
Over-current Protection	<110%	<110%	<110%
Approbations	FCC&IC	FCC&cETLus	FCC&cETLus
One Pieces Packing	∅ 50*46.5mm	∅ 50*60.5mm	∅ 50*53mm
Net Weight/pcs	40 g	52 g	54 g

DIMENSIONS



cETLus Listed, FCC and RoHS Compliant
 Two-Year Limited Warranty
 Two-Year Limited Warranty

